

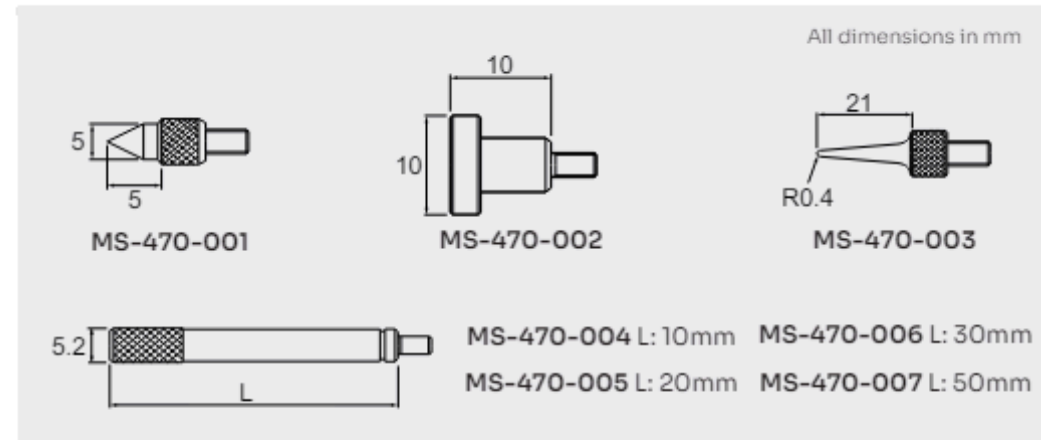


- Remote display plunger Indicator, separate LCD display allows the sprung-loaded plunger to be easily mounted whilst controlled and powered by display
- Holding method indicator stem. Indicator stem diameter 8mm H7
- M2.5 x 0.45 thread contact
- Standard functions: Inch/mm Conversion, Zero Reset, Low Battery Alert, On/Off



Specifications

	MS-411-012
Measuring Range mm (inches)	12.7 (0.5)
Resolution	0.01 (0.0005)
Accuracy	0.03
Battery	CR2032 3v Lithium Cell
Cable Length (hard-wired)	1200mm



Dimensions



All dimensions in mm

	a	a1	b	e	f	c
MS-411-012	57	25	8	40	4.5	136